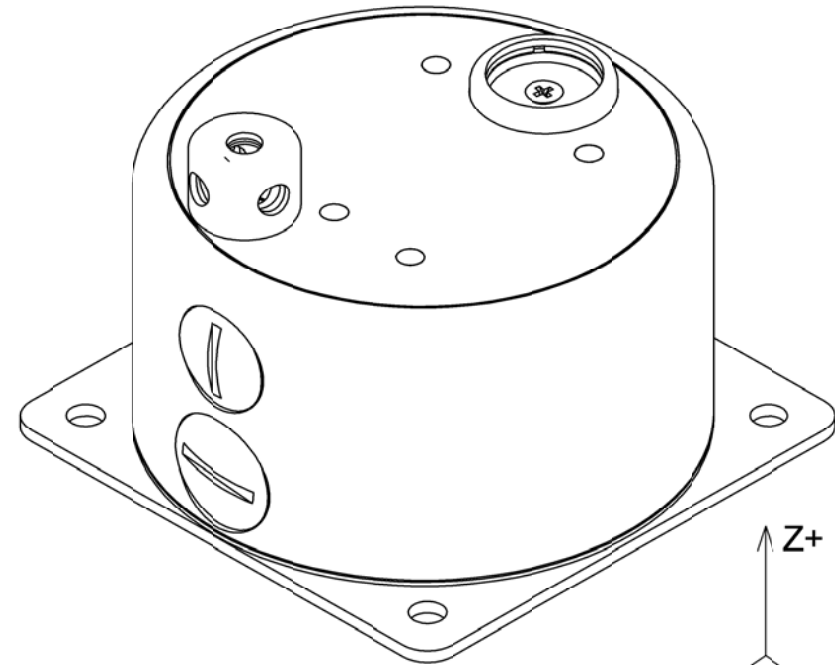
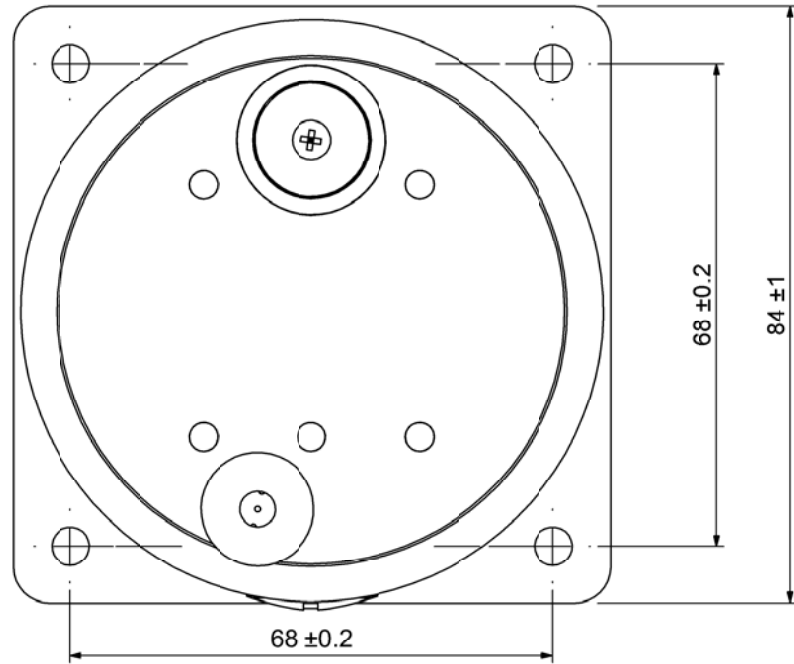
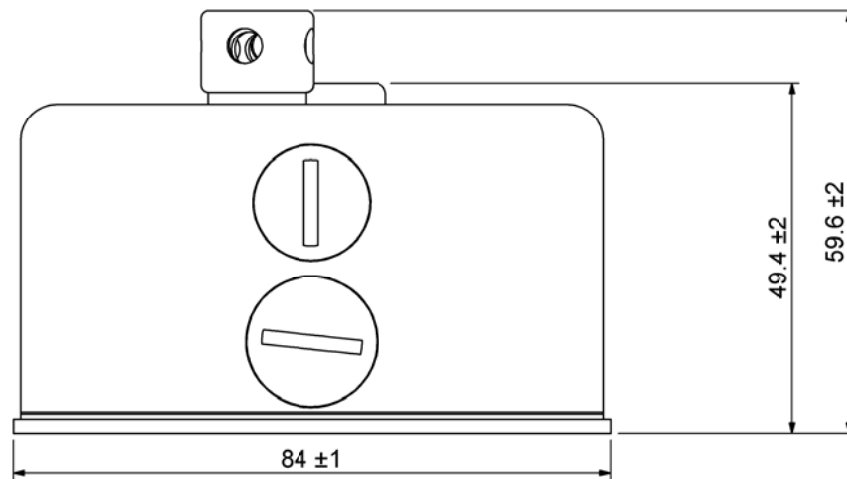
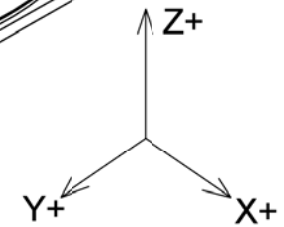


THIRD ANGLE PROJECTION



ATTACH TO SUBJECT WITH 4 M5 BOLTS



ALL DIMENSIONS IN MM UNLESS OTHERWISE STATED

|       |           |         |         |                     |    |                |  |          |     |                           |   |             |       |
|-------|-----------|---------|---------|---------------------|----|----------------|--|----------|-----|---------------------------|---|-------------|-------|
| ISSUE | 1         | 2       | 3       | DRAWN               | ND | MASS<br>(GRMS) | TOLERANCES<br>-HOLE SIZES<br>HOLE CENTRES<br>ELSEWHERE UNLESS OTHERWISE STATED | MATERIAL | —   | LAMERHOLM ELECTRONICS LTD |   |             |       |
|       | ESspecGA2 | GA31702 | GA31703 | CHECKED             |    |                |  | SPECN    | —   | TITLE                     | RD317 micro ShockLog™ recorder installation guide | DRAWING No. | 31724 |
|       | CDN3831   | CDN3924 | CDN5069 | MASTER DRAWING SIZE | A4 |                |  | SCALE    | 1:1 | FINISH                    | —   | SHT 1 OF 1  |       |
| DATE  | 16/10/00  | 25/4/01 | 2/9/05  |                     |    |                |  |          |     |                           |   |             |       |

